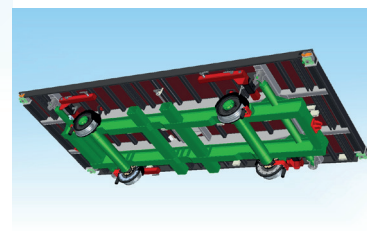
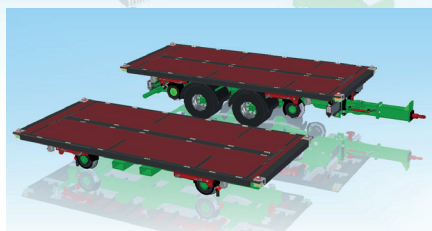
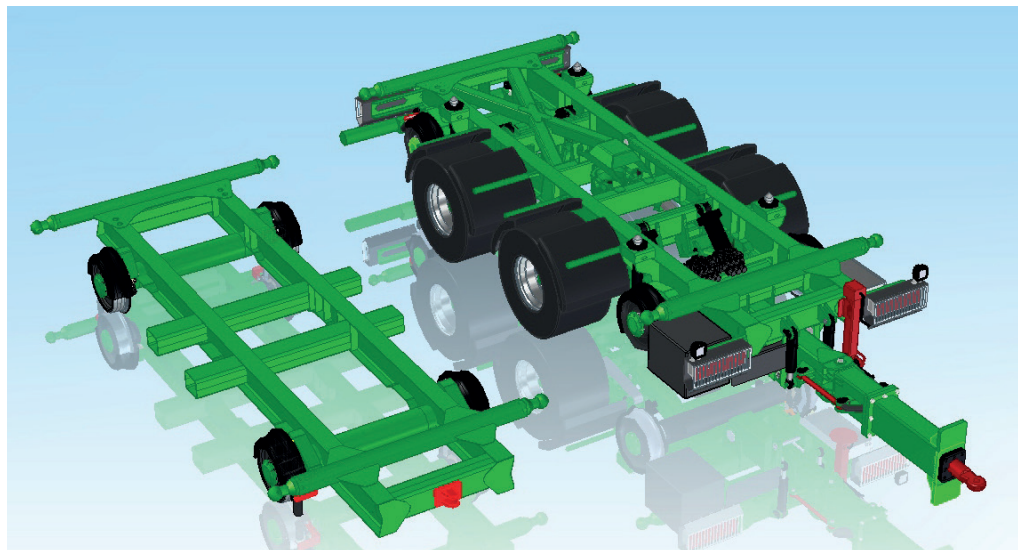


# Rail Trailer Chassis (RTC)



Make flexible use of the different attachments in your fleet. This RTC can be fitted with the same attachments as our Multipurpose Chassis (MPC). It can be adapted for adjustable gauge and fitted with hydraulic or air brake system. Gloss coated surface enables easy cleaning and maintenance.

Please contact us, to discuss flexible options for your use.

## Main Features

- Powerful rail wheel brakes
- Hydraulic or air brake system
- Fixed or adjustable gauge
- Fork pockets for easy lifting on and off track
- Quick change of attachments
- High load capacity
- Power pack: P-Light
- Rail axles: Eco Rail
- Rail Wheels: 450 mm UIC profile

## Trailer Weights for Rail

GTW	25 000 kg / 55 100 lb
Axle Capacity	12 500 kg / 27 600 lb
Towing Eye Load	0 kg / 0 lb
Est. Tare Weight	1 500 kg / 3 300 lb
Approx. Payload	23 500 kg / 51 100 lb

## Rail Trailer Chassis Dimensions

Length:	6 000 mm / 236 in
Width:	2 100 mm / 83 in
Height:	500 mm / 20 in



Sundsbergsvägen 8, 82640 Söderhamn, Sweden  
Phone: +46 (0)270 735 00, [www.ecorail.se](http://www.ecorail.se)

